

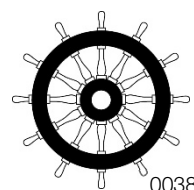
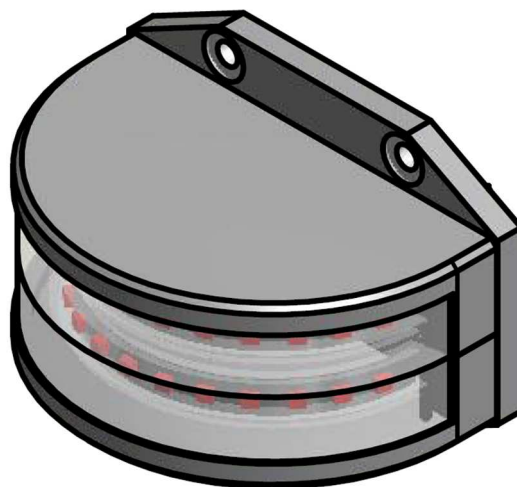
300-116ST – 3NM 180° RED DOUBLE LIGHT

The double LED light consists of two (2) individual lights which can be activated separately. One is dedicated as the primary, the other the secondary.

The precision machined 6082 aluminium housing with a hard coated anodized surface makes the light a rugged and durable housing for the LEDs and electronics contained within, and the polished PMMA lens delivers a clear light with colour ranging that is well within the standard for maritime use.

Lastly all the interior is completely filled with a special potting resin making it water- and vibration proof before each light is subjected to final testing for no less than 16 hours of continuous operation bringing the total test period beyond 24 hours.

Lopolight products are covered by a 5-year limited warranty. This warranty covers direct exchange of the malfunctioning product and is given under the assumption that the lights have been operated within the specifications of lights.



Technical specifications

Vessel size: >50m (>164')

Visibility: >3 nautical miles

Intensity: >15 cd

Mounting: **Vertical**

Operating voltage: **10 - 32 V DC**

Number of LEDs: 13 per light, 26 in total

Light colour: **Red**

Operating temperature: **-25°C to +55°C**

IP Rating: **IP68**

Power consumption; **3,4 Watt; Current @ 12 VDC: 0,28A - Current @ 24 VDC: 0,14A**

Connection: **2 cables** consisting of 2 x 0,5 mm² leads, a screen and insulation.

- **Red lead = Power**
- **Black lead = GND**

Certification: **The product is certified by Lloyds (LR) and certificates can be found on www.lopolight.com under certificates.**

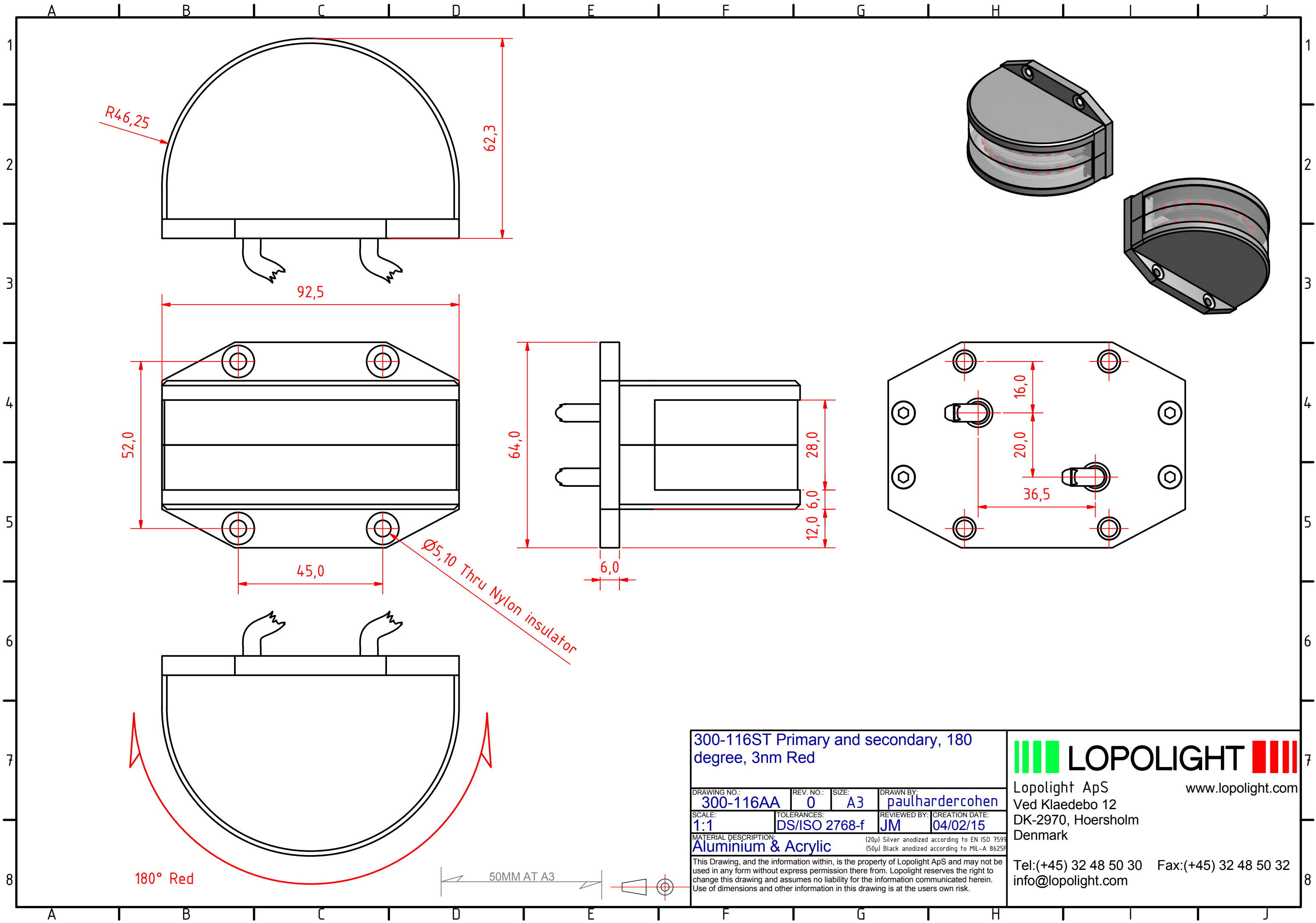
Approvals: **COLREG72 / EN14744 / IEC 60945 / USCG / UL1104**

Dimensions: **See drawing**

Weight: **0,32kg**

Included in the package:

- **1 Double navigation light, pre-cabled with 0,75m marine grade cable**
- **1 Mounting adaptor**
- **Installation instructions**



300-116ST Primary and secondary, 180 degree, 3nm Red

DRAWING NO.: 300-116AA REV. NO.: 0 SIZE: A3 DRAWN BY: paulhardercohen

SCALE: 1:1 TOLERANCES: DS/ISO 2768-f REVIEWED BY: JM CREATION DATE: 04/02/15

MATERIAL DESCRIPTION: Aluminium & Acrylic (20µ) Silver anodized according to EN ISO 7599 (50µ) Black anodized according to MIL-A 8625F

This Drawing, and the information within, is the property of Lopolight ApS and may not be used in any form without express permission there from. Lopolight reserves the right to change this drawing and assumes no liability for the information communicated herein. Use of dimensions and other information in this drawing is at the users own risk.



Lopolight ApS
 Ved Klaedebo 12
 DK-2970, Hoersholm
 Denmark

Tel: (+45) 32 48 50 30 Fax: (+45) 32 48 50 32
 info@lopolight.com

