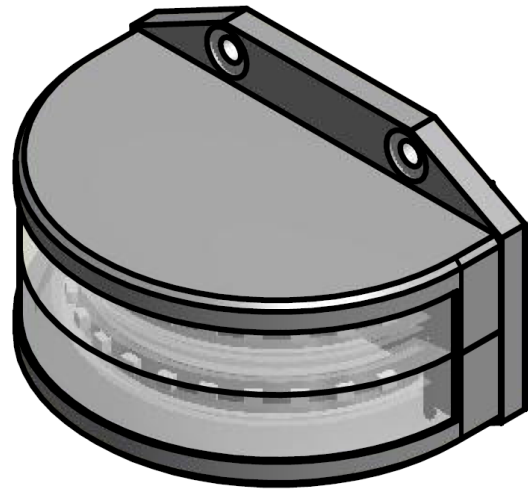


## 200-024ST – 2NM 180° WHITE DOUBLE LIGHT

The double LED light consists of two (2) individual lights which can be activated separately. One is dedicated as the primary, the other the secondary.

The precision machined anodized aluminium housing makes the light a rugged and durable housing for the LEDs and electronics contained within, and the polished PMMA lens delivers a clear light with colour ranging that is well within the standard for maritime use.

Lastly all the interior is completely filled with a special potting resin making it water- and vibration proof before each light is subjected to final testing for no less than 16 hours of continuous operation bringing the total test period beyond 24 hours.



### Technical specifications

Ship size: 50m (164')  
 Visibility: >2 nautical miles  
 Intensity: >5,4 cd  
 Mounting: Vertical

Operating voltage: 10 - 32 V DC  
 Number of LEDs: 13 per light, 26 in total  
 Light colour: **White**

Operating temperature: -25°C to +55°C  
 IP Rating: IP68

Power consumption; 2,4 Watt; Current @ 12 VDC: 0,20A - Current @ 24 VDC: 0,10A  
 Connection: 2 cables consisting of 2 x 0,5 mm<sup>2</sup> leads, a screen and insulation.

- Red lead = Power
- Black lead = GND

Certification: The product is certified by Lloyds (LR) and certificates can be found on [www.lopolight.com](http://www.lopolight.com) under certificates.

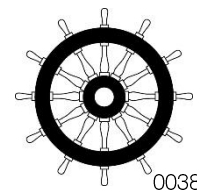
Approvals: COLREG72 / EN14744 / IEC 60945 / USCG / UL1104

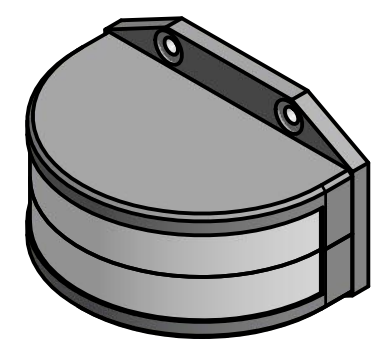
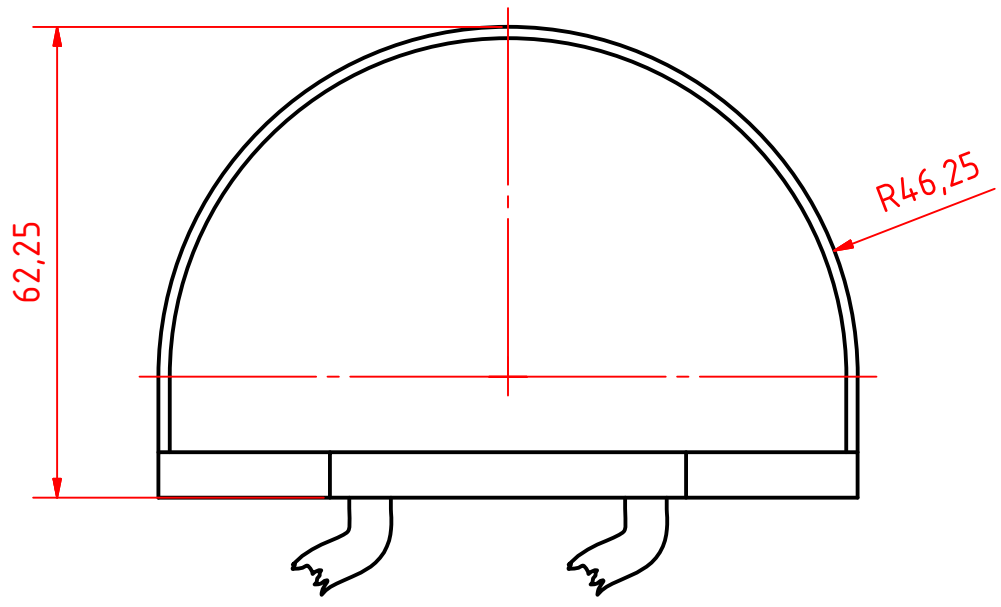
Dimensions: See drawing

Weight: 0,32kg

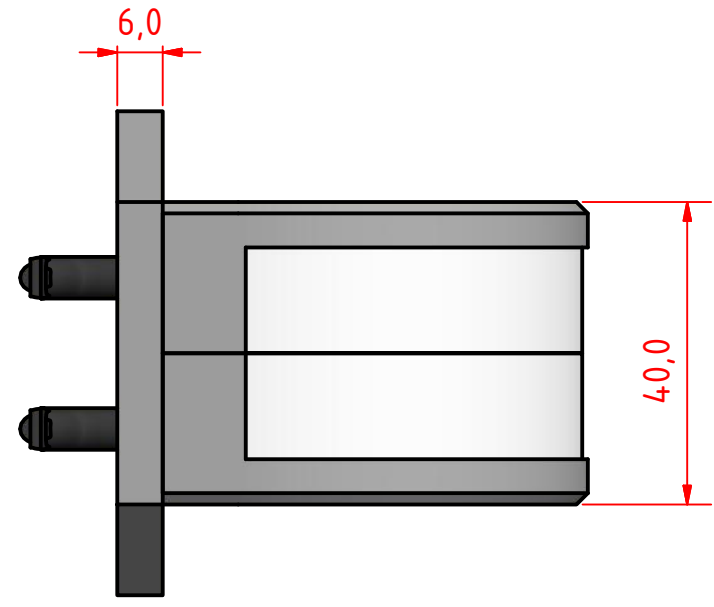
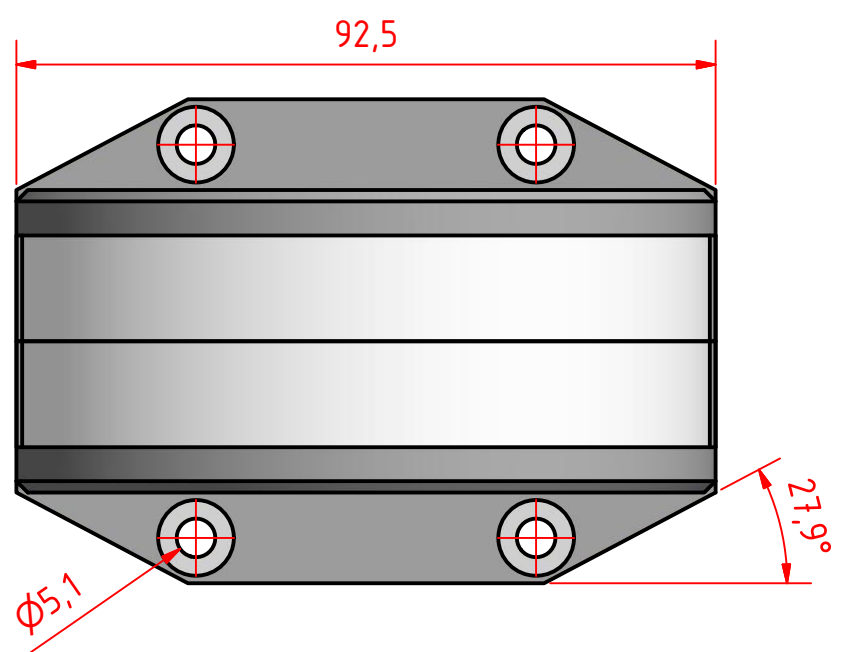
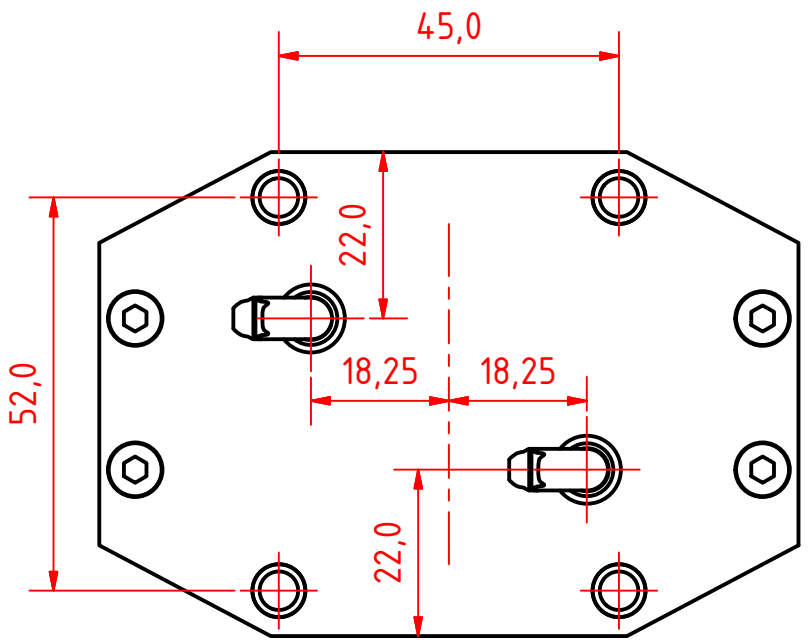
### Included in the package:

- 1 Double navigation light, pre-cabled with 0,75m marine grade cable
- 1 Mounting adaptor
- Installation instructions





2 Pre-wired Cable Exits Ø5,5mm  
shielded marine cable



200-024ST 180 degree White, 2nm

|              |               |              |           |
|--------------|---------------|--------------|-----------|
| DRAWING NO.: | REV. NO.:     | SIZE:        | DRAWN BY: |
| 200-024AB    | 0             | A3           | Paul      |
| SCALE:       | TOLERANCES:   | REVIEWED BY: |           |
| 1:1          | DS/ISO 2768-f | JM           |           |

MATERIAL DESCRIPTION:  
Aluminium & Acrylic

This Drawing, and the information within, is the property of Lopolight ApS and may not be used in any form without express permission there from. Lopolight reserves the right to change this drawing and assumes no liability for the information communicated herein. Use of dimensions and other information in this drawing is at the users own risk.



Lopolight ApS  
Ved Klaedebo 12  
DK-2970, Hoersholm  
Denmark

www.lopolight.com

Tel:(+45) 32 48 50 30 Fax:(+45) 32 48 50 32  
info@lopolight.com

